



**SBPPL**

# GAP FRAME PRESS

Double Crank

BX2 Series



[www.shribalajipresses.com](http://www.shribalajipresses.com)



## GAP FRAME DOUBLE CRANK PRESS BX2 SERIES

### FEATURES :

- High rigid design minimize deflection and most suitable for progressive and general die application.
- Opposed rotation crank to minimize side thrust force results best suitable for off center load
- A heavy duty dynamically balanced single disk combined clutch and brake.
- Monitored forced automatic grease lubrication system
- User friendly simple and easy operation electrical and pneumatic controls.

### Standard Accessory:

- 1- Main Motor
- 2- Press Control System (BPC - 3.1)  
Touch Screen Panel Display with Error Message  
Digital Crank Angle Indicator
- 3- Automatic Grease Lubrication Device
- 4- Hydraulic Overload Protector
- 5- Motorized Slide Adjustment
- 6- Shut Height Indicator
- 7- Production Counter
- 8- Dual Solenoid Valve
- 9- Programmable Cam Switch
- 10- Counter Balance for Slide
- 11- Portable Operation Stand

### Optional Accessory:

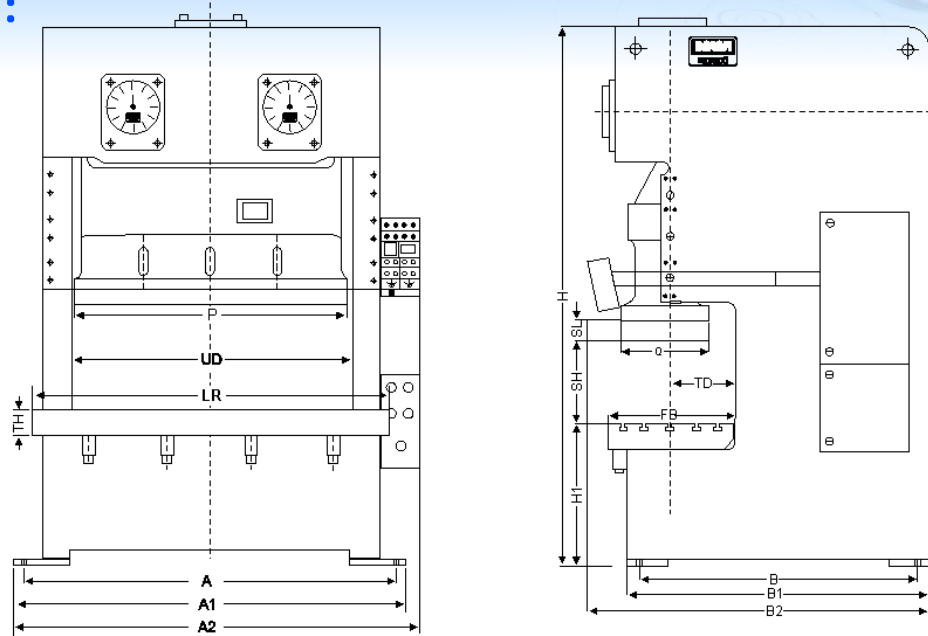
- 1- Pneumatic Die Cushion
- 2- Photo Electrical Safety Device
- 3- Anti Vibration Mount
- 4- Foot Switch
- 5- Knockout Device



# GAP FRAME DOUBLE CRANK PRESS BX2 SERIES

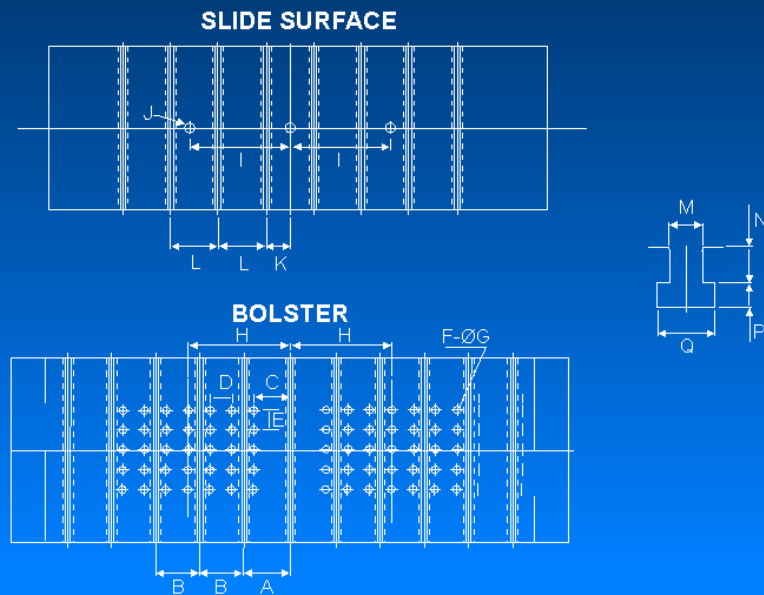


## SPECIFICATIONS :



Model		BX2-110	BX2-160	BX2-200	BX2-250	BX2-300
Capacity		110	160	200	250	300
Stroke Length(SL)	mm	160	200	200	230	250
Stroke Per Munute	S.P.M.	50	40	35	30	30
Rated Tonnage Point	mm	5	6	7	7	7
Shut Height (SH)	mm	400	450	500	550	550
Slide Adjustment	mm	80	100	110	120	120
Slide Area (PxQ)	mm	1400x520	1500x580	1850x680	2100x700	2100x700
Diameter of Shank Hole	mm	Ø51	Ø51	Ø51	Ø51	Ø51
Bolster Area (LRxFB)	mm	1850x680	2040x760	2420x840	2700x900	2700x900
Bolster Thickness(TH)	mm	150	180	180	180	200
Floor to Bolster (H1)	mm	800	850	1000	1100	1100
Upright Distance (UD)	mm	1470	1580	1900	2180	2180
Throat Depth (TH)	mm	350	380	430	460	460
Main Motor	HPxP	10x4	15x4	20x4	30x4	30x4
Motor of Slide Adjustment	HPxP	1x4	2x4	2x4	2x4	2x4
Foot Size (A1xB1)	mm	1880x1680	2170x1985	2520x2140	2810x2390	2840x2450
Position of Anchor Bolts (AxB)	mm	1860x1380	2050x1655	2400x1755	2880x2000	2720x2050
Overall Space (A2xB2)	mm	2180x1800	2375x2050	2725x2200	3015x2450	3045x2500
Press Height (w/o Mounts) (H)	mm	2990	3200	3680	3850	3850
Air Pressure Required	(kg/cm)	5	5	5	5	5
Pneumatic Die Cushion (Optional)	Tonnage	6x2	8x2	10x2	15x2	15x2
	Stroke	95	110	120	130	130
	Pad Area	480x340	580x370	700x450	700x450	700x450

## SPECIFICATIONS :



Model	BX2-110	BX2-160	BX2-200	BX2-250	BX2-300
A	110	200	215	235	235
B	200	200	220	220	220
C	160	150	160	180	180
D	100	100	100	100	100
E	100	100	100	100	100
F	5x4x2	6x4x2	7x5x2	7x5x2	7x5x2
G	32	32	32	32	32
H	360	400	490	510	510
I	350	400	450	450	450
J	50	50	50	50	50
K	90	100	110	120	120
L	180	200	220	240	240
M	28	28	28	28	28
N	30	30	30	30	30
P	20	20	20	20	20
Q	48	48	48	48	48

Manufactured by :

**SHRI BALAJI PRESSES PVT. LTD.**

C-96, Sector-1, Tala Nagri, Ramghat road

Aligarh-202001 (U.P.) INDIA

Ph.: +91 571 2780033, 2780044, 9568651222

email.: info@sbpl.in, balajipresses@gmail.com

