



STRAIGHT SIDE PRESS
SINGLE CRANK
BXR1 Series





STRAIGHT SIDE SINGLE CRANK PRESS BXR1 SERIES

FEATURES

- High rigid straight side frame design most suitable for progressive and general die application.
- Zero angle deflection of frame resulting better tool life & less maintenance work.
- A heavy duty dynamically balanced single disk combined clutch and break.
- Monitored forced automatic grease lubrication system
- User friendly simple and easy operation electrical and pneumatic controls.

Standard Accessory:

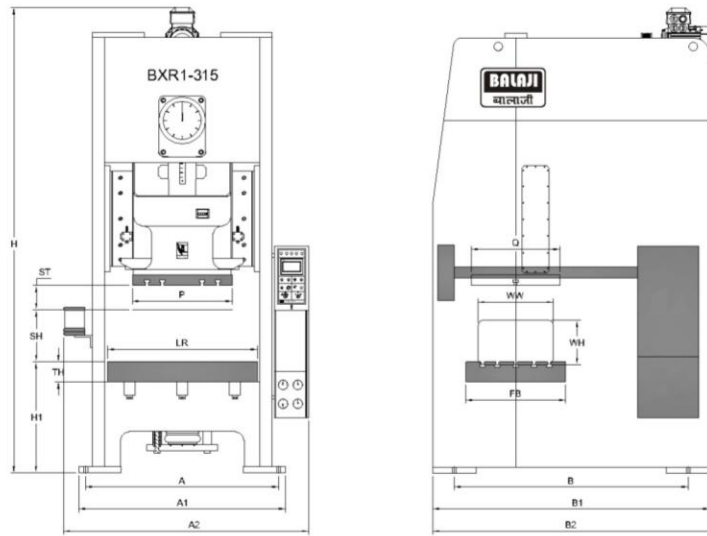
- 1- Main Motor
- 2- Press Control System (BPC-3.1)
 - Touch Screen Panel Display With Error Message
 - Digital Crank Angle Indicator
- 3- Automatic Grease Lubrication Device
- 4- Hydraulic Overload Protector
- 5- Motorized Slide Adjustment
- 6- Shut Height Indicator
- 7- Production Counter
- 8- Dual Solenoid Valve
- 9- Programmable cam switch
- 10- Counter Balance For Slide
- 11- Portable Operation Stand

Optional Accessory:

- 1- Pneumatic Die Cushion
- 2- Photo Electrical Safety Device
- 3- Anti Vibration Mount
- 4- Foot Switch
- 5- Knockout Device
- 6- Quick Die Change System
- 7- Variable Speed Drive
- 8- Coil And Strip Feeder



STRAIGHT SIDE SINGLE CRANK PRESS BXR1 SERIES



SPECIFICATIONS

Model	BXR1-80		BXR1-110		BXR1-160		BXR1-200		BXR1-250		BXR1-315	
	ST	HT	ST	HT	ST	HT	ST	HT	ST	HT	ST	HT
Capacity (T)	80		110		160		200		250		315	
Fix Stroke (ST) MM	60	100	70	125	80	160	90	200	100	220	100	220
Adj. Stroke (ST) MM	8-50	8-100	8-70	8-125	-	8-160	-	-	-	-	-	-
SPM	Fix		Fix		Fix		Fix		Fix		Fix	
	100	60	80	50	80	40	65	35	55	30	45	25
	Variable		Variable		Variable		Variable		Variable		Variable	
	60-130	40-70	60-120	35-60	50-100	35-50	40-80	25-45	30-70	25-40	25-60	20-30
Rating Point	3	4.5	3	5	3.5	6	3.5	6	4	6	4	6
Shut Height (SH)	330		360		400		450		450		500	
Slide Adjustment	80		90		100		110		120		120	
Slide Area (PXQ)	560x460		650x520		720x580		800x680		900x800		900x800	
Shank Bore (ø)	63		63		65		80		80		80	
Bolster Area (LRXFB)	900x600		1000x680		1150x760		1200x840		1350x900		1350x900	
Bolster Thickness (TH)	130		140		165		180		180		200	
Side Opening (WWXWH)	440x280		500x300		560x350		620x400		680x400		760x450	
Bolster HT (H1)	900		900		900		1000		1000		1000	
Foot Size (A1XB1)	1430x1660		1560x1900		1720x2100		1870x2300		1990x2450		1990x2500	
Overall (A2xB2xH)	1630x1930x2785		1765x2175x2945		1905x2375x3235		2055x2565x3685		2175x2800x3775		2255x2783x4100	
Main Motor	10x4		10x4		15x4		20x4		25x4		30x4	
Anchor Bolt (AXB)	1310x1410		1440x1600		1600x1770		1750x1915		1870x2060		1870x2110	
Die Cushion Capacity	6		10		15		20		25		25	
Die Cushion Stroke	70		90		100		110		110		110	
Die Cushion Pad Area	410x260`		480x300		540x340		640x440		640x440		640x440	

